



MEGAjoist & MEGArafter

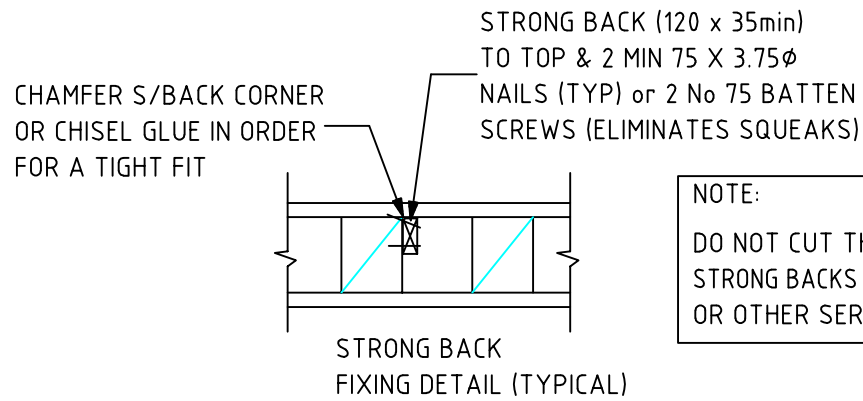
STANDARD DETAILS



MEGAjoist DETAILS

INSTALLER NOTE:
FOR ANY QUESTIONS REGARDING THESE DETAILS PLEASE CONTACT THIS OFFICE ON (03) 5981 4960 FOR TECHNICAL ADVICE.

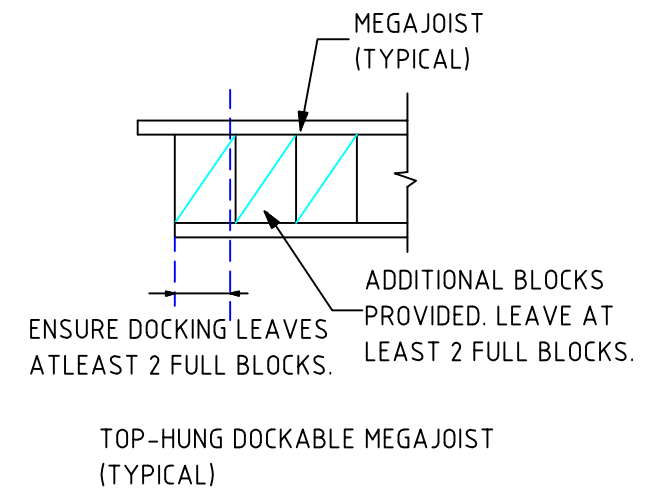
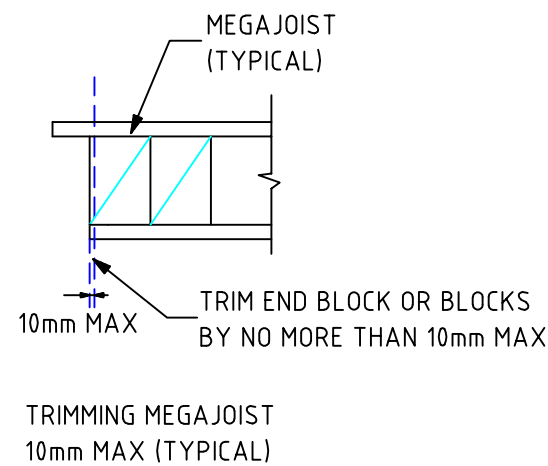
NOTE:
ALL JOISTS @ 450 MAX CTS U.N.O. FIXING DETAILS TO BE IN ACCORDANCE WITH MEGAjoist STANDARD DETAILS & THE CURRENT EDITION OF AS 1684.



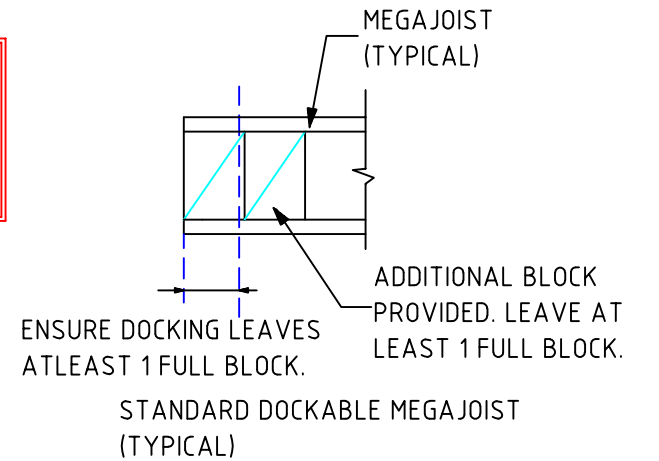
NOTE:
DO NOT CUT THROUGH STRONG BACKS FOR PLUMBING OR OTHER SERVICES

STRONG BACKS SHOULD BE INSTALLED:

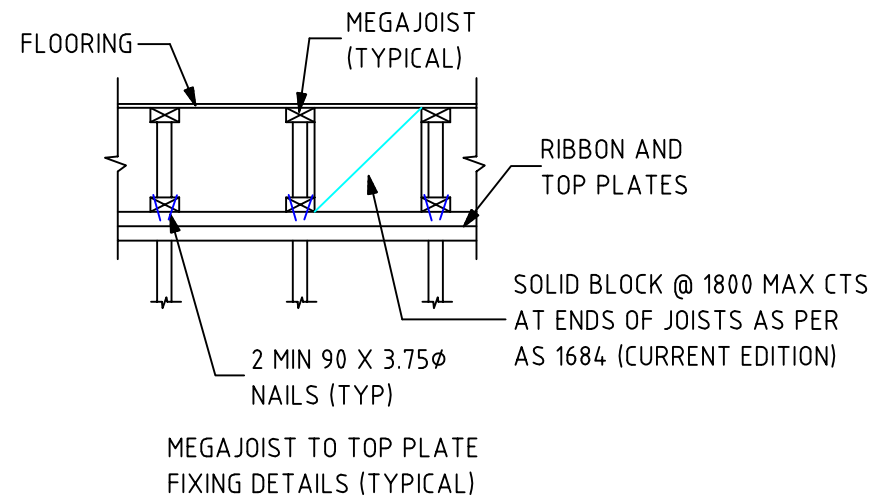
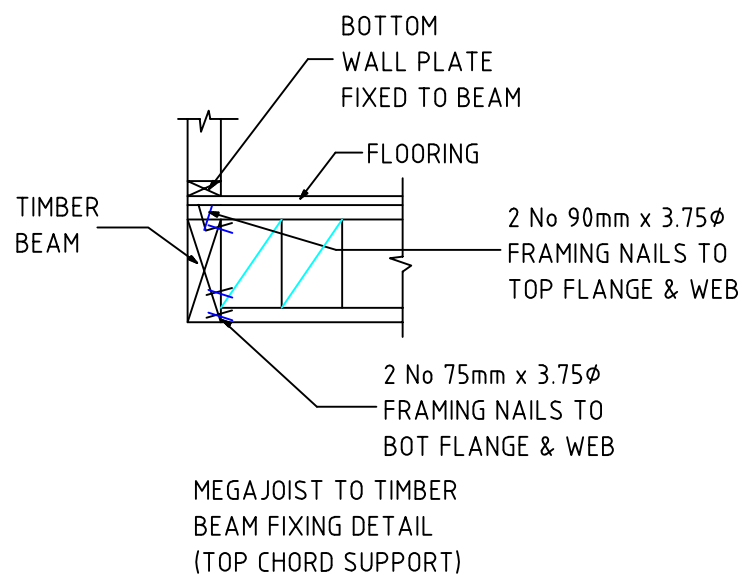
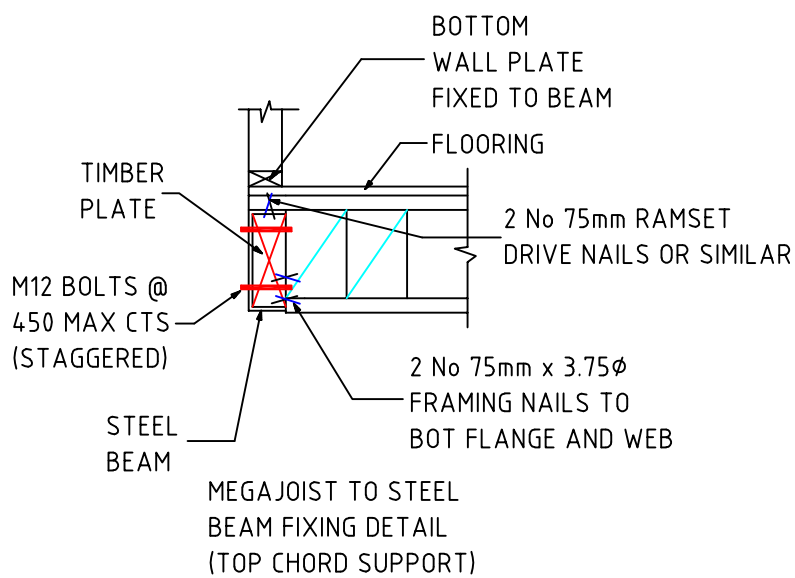
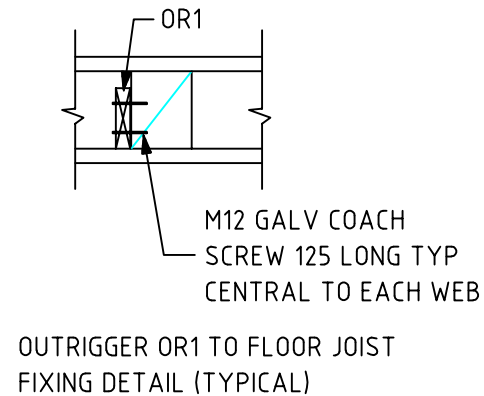
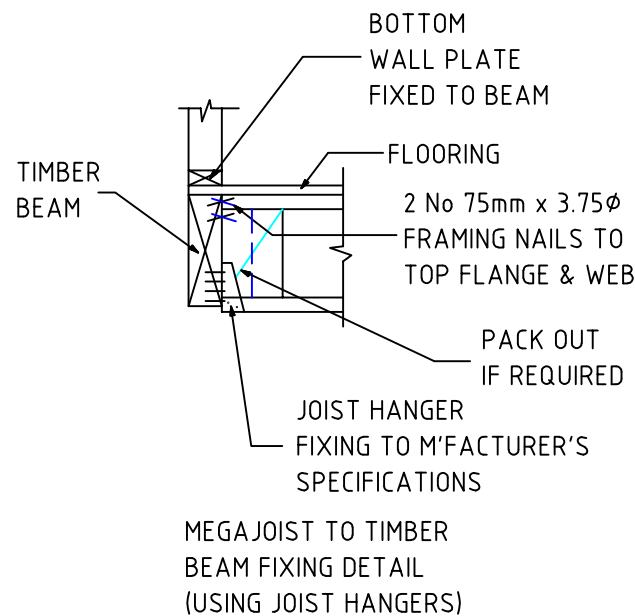
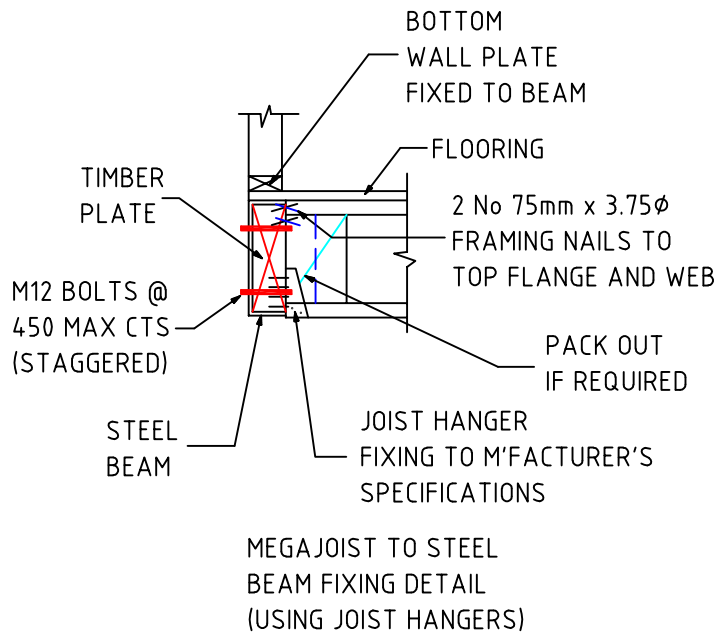
- 1) AT NO MORE THAN 1500mm MAX CTS
- 2) TO THE TOP FLANGE AS SHOWN ON THE DETAIL
- 3) USE FULL LENGTH STRONG BACK AS SUPPLIED
- 4) TO OVERLAP AT LEAST 3 JOISTS AT JOINS



INSTALLER WARNING - DANGER:
DOCKING OF TRUSSES BEYOND ALLOWABLE LIMITS MAY CAUSE STRUCTURAL FAILURE, INJURY OR DEATH. REFER TO INSTALLATION GUIDE FOR FURTHER INSTRUCTIONS.



INSTALLER WARNING:
FLOOR LIVE LOADS ARE DESIGNED FOR 150 kg/m². DO NOT LOAD UP FLOORS WITH HEAVY CONSTRUCTION MATERIALS. STRUCTURAL FAILURE, INJURY OR DEATH.



DETAILS: DATE: JUNE '22 REVISION 3



PO Box 554 Dromana, Vic 3936
Telephone: 5981 4960
ABN 99 137 010 489

TITLE
MEGAJOIST STANDARD INSTALLATION DETAILS

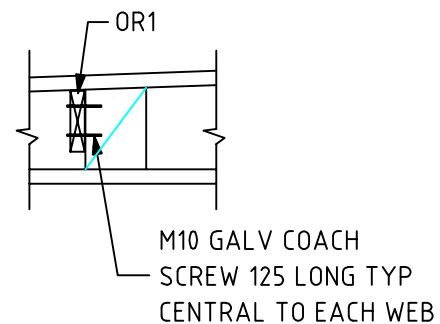
D01 Sheet number 1 of 2

REV:	Date	Issue
3	11/06/22	Details added
2	02/02/21	Some details amended
1	16/08/16	T-JOIST details added
0	9/02/14	Issued for construction

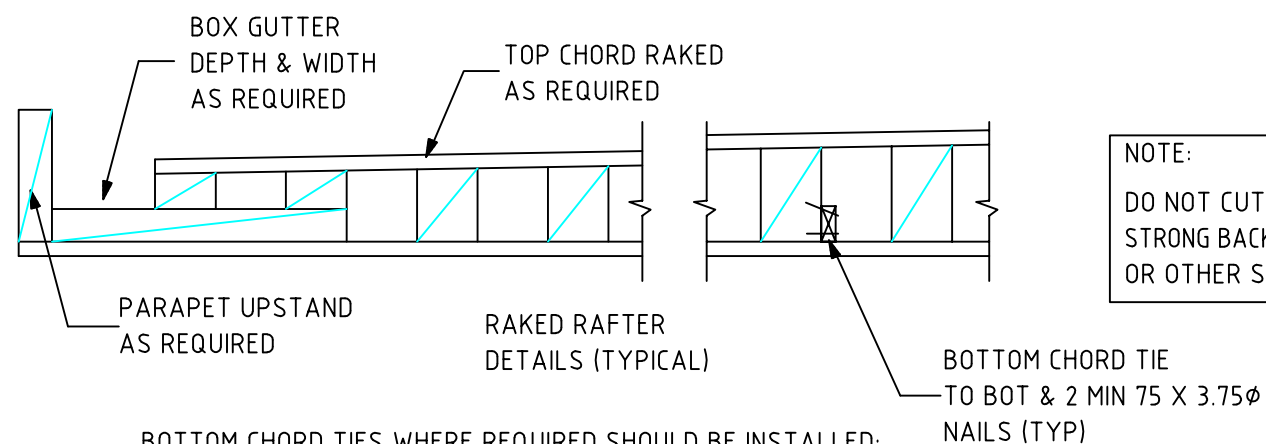
MEGArafter DETAILS

INSTALLER NOTE:
FOR ANY QUESTIONS REGARDING THESE DETAILS PLEASE CONTACT THIS OFFICE ON (03) 5981 4960 FOR TECHNICAL ADVICE.

NOTE:
ALL RAFTERS @ 900 MAX CTS U.N.O. ROOF BRACING AND TIE-DOWNS TO BE IN ACCORDANCE WITH THE CURRENT EDITION OF AS1684.



OUTRIGGER OR1 TO RAFTER FIXING DETAIL (TYPICAL)



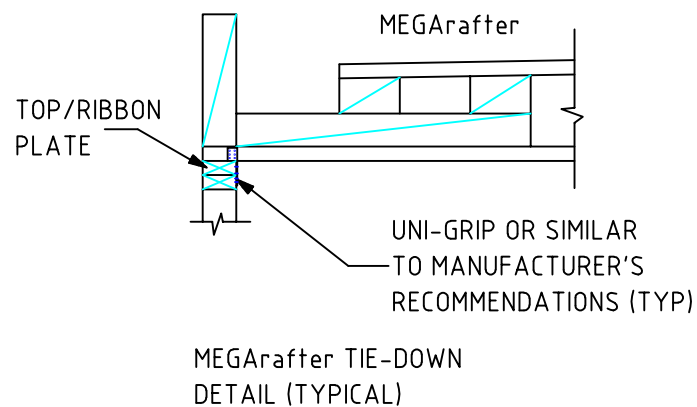
NOTE:
DO NOT CUT THROUGH STRONG BACKS FOR PLUMBING OR OTHER SERVICES

BOTTOM CHORD TIES WHERE REQUIRED SHOULD BE INSTALLED:

- 1) AT NO MORE THAN 5000mm MAX CTS (GENERALLY CENTRAL)
- 2) TO THE BOTTOM FLANGE AS SHOWN ON THE DETAIL
- 3) USE FULL LENGTH OF BOTTOM CHORD TIE AS SUPPLIED
- 4) TO OVERLAP AT LEAST 3 RAFTERS AT JOINS

INSTALLER WARNING:

ROOF LIVE LOADS ARE DESIGNED FOR 25 kg/m². DO NOT LOAD UP FLOORS WITH HEAVY CONSTRUCTION MATERIALS. STRUCTURAL FAILURE, INJURY OR DEATH.



MEGArafter TIE-DOWN DETAIL (TYPICAL)

DETAILS: DATE: JUNE '22 REVISION 0



PO Box 554 Dromana, Vic 3936
Telephone: 5981 4960
ABN 99 137 010 489

TITLE

**MEGARAFTER STANDARD
INSTALLATION DETAILS**

D02

Sheet number
2 of 2

REV:	Date	Issue
0	11/06/22	Issued for construction